

# Smart Lighting Control

## Capacitive Touch

### LIGHTING CONTROL

Capacitive touch, glass control plate, based on technology gained in the smart phone market. White LED buttons can be configured for any function with Hamilton designer software. Controllers will fit into any single wall box (BS4662) with a minimum depth of 35mm.

- 4-16 capacitive touch switches with white LED
- Engraved legends
- 4 scene selection
- Dim up and down/Power off
- Available in various colours
- Available in a selection of frame styles

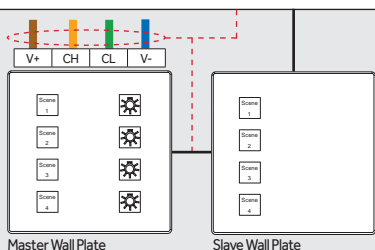
### QUICK AND SIMPLE TO USE

Store scenes at a touch:

1. Adjust the lighting levels by touching the plate. A brief touch will turn the lights on/off, a prolonged press will raise/lower the light level.
2. Once you've selected the desired light level for all four circuits, touch and hold scene one. The LED will flash five times. Keep your finger on the scene until the LED stops flashing.
3. Your new scene is now stored. Repeat above to store further scenes 2,3 and 4. No commissioning work is required.

### INSTALLATION

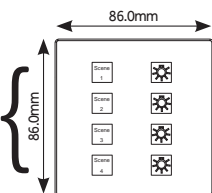
For connection of additional controls use CAT5/6 cable wired in parallel. Note: if other dimmer packs are included within the same system, link all with CAT5/6 cable.



You can also add additional wall plates.

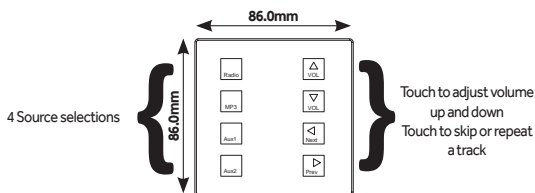


To recall a scene press any Scene button, 1-4. The LED will go bright. To turn off simply press any of the scene buttons that are brightly lit. To change scene see notes above - Store scenes



Touch and hold individual circuit to adjust light levels. Note: A quick push of individual circuit button turns circuit on or off

### Lighting and Audio control plate



### AUDIO CONTROL

Capacitive touch, glass control plate, based on technology gained in the smart phone market, with white LED. Controllers will fit into any single wall boxes (BS4662) with a minimum depth of 35mm.

- 8 capacitive touch switches with white LED
- Source selection, four options
- Volume up and down
- Next and previous
- Available in various colours
- Available in a selection of frame styles


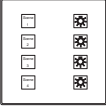
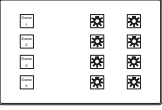
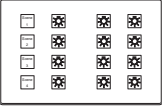
4 Source selections

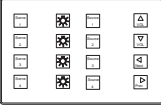
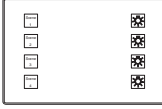
Touch to adjust volume up and down  
Touch to skip or repeat a track

# Smart Multi-room Audio & Lighting

## Product Codes

**CAPACITIVE TOUCH CONTROL PLATES** Will fit into any single / double wall boxes (BS4662) with a minimum depth of 35mm

CPT4S	CPT4S+4C	CPT4S+8C	CPT4S+12C
			
Capacitive touch plate, with 4 scene recall with white LED, engraved legends	Capacitive touch plate with 4 scene recall, 4 circuit control buttons with white LED, engraved legends	Capacitive touch plate with 4 scene recall, 8 circuit control buttons with white LED, engraved legends	Capacitive touch plate with 4 scene recall, 12 circuit control buttons with white LED, engraved legends

CPT 4+4+4S+4C	CPT 4+4
	
4 source selection volume up/down, next/previous with 4 scene recall, 4 circuit control buttons with white LED, engraved legends	Capacitive touch plate with 4 scene recall, 4 circuit control buttons with white LED, engraved legends

**LINEA-VETRO CFX® CAPACITIVE TOUCH CONTROL PLATE** Supplied with Bright Chrome Frame

Plate Type	Codes		
	Linea-Duo Vetro CFX® - Black Glass	Linea-Rondo Vetro CFX® - Black Glass	Linea-Scala Vetro CFX® - Black Glass
CPT4S	LD CPT4S BC-VB	LRX CPT4S BC-VB	LSX CPT4S BC-VB
CPT4S+4C	LD CPT4S+4C BC-VB	LRX CPT4S+4C BC-VB	LSX CPT4S+4C BC-VB
CPT4S+8C	LD CPT4S+8C BC-VB	LRX CPT4S+8C BC-VB	LSX CPT4S+8C BC-VB
CPT4S+12C	LD CPT4S+12C BC-VB	LRX CPT4S+12C BC-VB	LSX CPT4S+12C BC-VB
CPT4+4	LD CPT 4+4 BC-VB	LRX CPT4+4 BC-VB	LSX CPT4+4 - BC-VB
CPT4+4+4S+4C	LD CPT 4+4+4S+4C BC-VB	LRX CPT4+4+4S+4C BC-VB	LSX CPT4+4+4S+4C BC-VB


Plate Type	Codes		
	Linea-Duo Vetro CFX® - White Glass	Linea-Scala Vetro CFX® - White Glass	Linea-Rondo Vetro CFX® - White Glass
CPT4S	LD CPT4S BC-VW	LSX CPT4S BC-VW	LRX CPT4S BC-VW
CPT4S+4C	LD CPT4S+4C BC-VW	LSX CPT4S+4C BC-VW	LRX CPT4S+4C BC-VW
CPT4S+8C	LD CPT4S+8C BC-VW	LSX CPT4S+8C BC-VW	LRX CPT4S+8C BC-VW
CPT4S+12C	LD CPT4S+12C BC-VW	LSX CPT4S+12C BC-VW	LRX CPT4S+12C BC-VW
CPT4+4	LD CPT 4+4 BC-VW	LRX CPT4+4 BC-VW	LSX CPT4+4 - BC-VW
CPT4+4+4S+4C	LD CPT 4+4+4S+4C BC-VW	LRX CPT4+4+4S+4C BC-VW	LSX CPT4+4+4S+4C BC-VW

# Smart Multi-room Audio & Lighting

## Product Codes

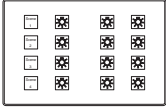
**CAPACITIVE TOUCH CONTROL PLATES** Will fit into any single wall boxes (BS4662) with a minimum depth of 35mm

**(AUDIO) CPT4+4**



8 capacitive touch switch control plate, volume (raise and lower), next and previous, 4 source selection options with white LED, engraved legends

**(AUDIO & LIGHTING) CPT4+4 + 4S + 4C**



Capacitive touch plate with 4 source selection options + volume (raise and lower) + next and previous + 4 scene recall, 4 circuit control buttons with white LED, engraved legends

**LINEA-VETRO CFX®** Supplied with Bright Chrome frame

Vetro Glass Plate Colour	Code		
	Linea-Duo Vetro CFX®	Linea-Rondo Vetro CFX®	Linea-Scala Vetro CFX®
Black	LD CPT4+4 BC-VB	LRX CPT4+4 BC-VB	LSX CPT4+4 BC-VB
White	LD CPT4+4 BC-VW	LRX CPT4+4 BC-VW	LSX CPT4+4 BC-VW
Black	LD CPT4+4+4S+4C-VB	LRX CPT4+4+4S+4C-VB	LSX CPT4+4+4S+4C-VB
White	LD CPT4+4+4S+4C-VW	LRX CPT4+4+4S+4C-VW	LSX CPT4+4+4S+4C-VW