

Hamilton® Ceiling Dimmer

A remote, efficient dimming module for the control of lighting in Domestic, Office and Commercial applications

- The ICDM1000 can be controlled by either Hamilton Push-to-Make Retractive Rocker Switches or Hamilton Touch Slave Dimmer Switches or a combination of both.
- Suitable for the control of Tungsten Lamps from 40–1000 watts, dimmable electronic transformers and toroidal transformers from 50–1000VA.
- Designed to be mounted in an accessible well ventilated dry ceiling or loft space.



1 gang 10AX Push-to-Make Retractive Rocker

4 gang Multi-way
Touch Slave Dimmer

Hamilton® *fashion, finish, function and flexibility*

Hamilton® Ceiling Dimmer

ICDM1000 1000W Ceiling Dimmer



Applications:

Domestic Housing, Office and Commercial

Operating Range:

Mains Frequency: 230V~50Hz/60Hz
40–1000W and 50–1000VA

Product Standards:

This product complies fully to the following standards: EN 61347 and EN 55015.

Technical Insert Reference: **ICDM1000**

Technical Specifications:

Voltage:	230/240V AC
IP Rating:	IP 2XD
Ambient Operating Temperature:	0–55°C
Location:	Internal use only
Maximum Installation Altitude:	2000 metres
Current Rating:	4–16 Amps
Must Be Earthed	

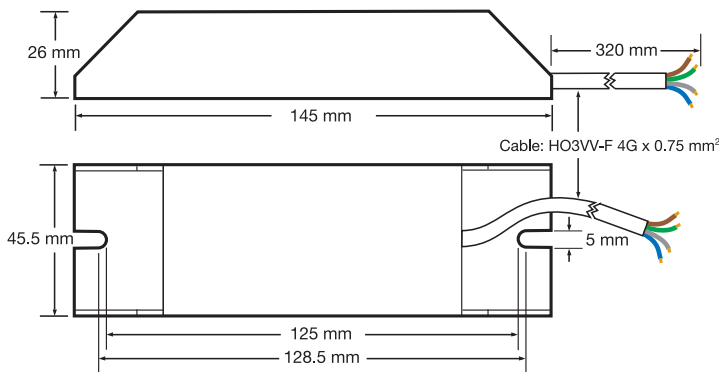
Product Features:

This dimmer is suitable for control of Tungsten Lamps from 40–1000 watts, dimmable electronic transformers and toroidal transformers from 50–1000VA when used with Hamilton Push-to-make Retractive Switches or Hamilton Touch Slave Dimmers or a combination of both (these parameters may vary with other manufacturers products).

- Suitable for 230/240 volt supply 50 or 60 Hz. ■ Multi-position control.
- Overload Protection - when an over current is detected the dimmer will switch off and then restart
- Over Temperature Protection - when a temperature is detected that exceeds safe operation limits the dimmer will automatically switch off.
- Soft Start Technology - to provide prolonged long lamp life
- Lamp fade off slowly ■ Flicker-free operation



Product Dimensions



Note:

This dimmer is not suitable for Fluorescent Lamps. Do not cut the connecting cable from the dimmer.

Installation:

This ceiling dimmer should be installed by a qualified electrician in an accessible well ventilated dry area. It should be clear of any thermal insulation and where more than one dimmer is installed in the same area we recommend a spacing of at least 15 cm between each dimmer unit.

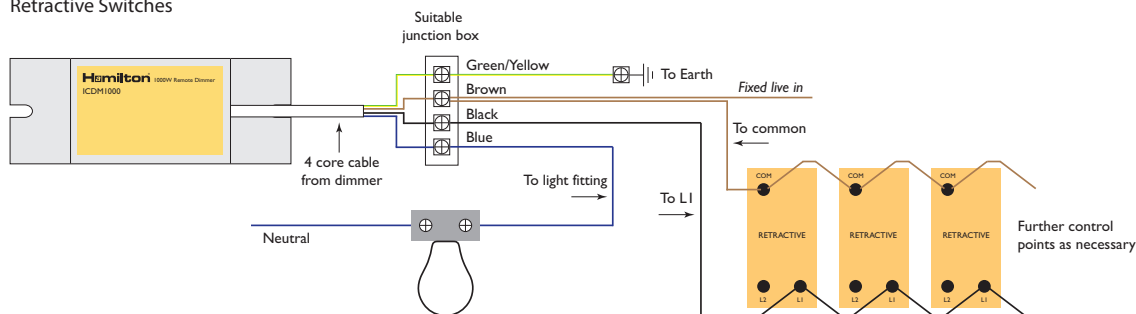
Operation:

A brief press on turns the light on, by keeping your finger pressed on the switch the lights will go through a dimming cycle. When the required level is reached remove the finger from the switch. Another brief press will turn the lights off. Pressing the control point again will bring lights back on at their previous level.

Due to constant changes in regulations etc., user should satisfy themselves there have been no amendments.

Optional Installations

Retractive Switches



Touch Slave Switches

