
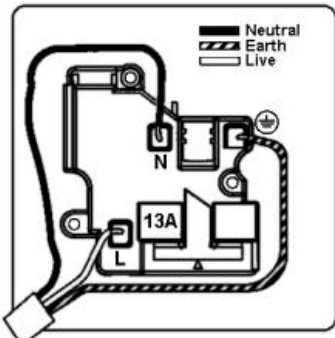


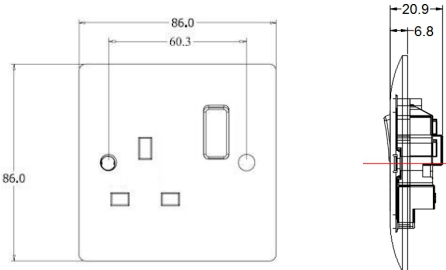
Item Image



Wiring



Dimensions



Hamilton® 1 GANG 13A DOUBLE POLE SWITCHED SOCKET

VWP SS1 W

Vogue White 1 gang 13A Switched Socket - Double Pole. Standard Insert will be Vogue White with a White surround. A tough scratch resistant thermoset plastic finish with inherent antimicrobial properties.

| | |
|-------------------------------|--|
| Primary Range | Vogue White |
| Insert Type | Switched Socket |
| Plate Finish | Vogue White moulded high grade thermoset plastic |
| Frame Finish | |
| Switch Colour | Vogue White |
| Body & Switch Trim | Vogue White |
| Height | Single = 86mm |
| Width | Single = 86mm |
| Depth | Single = 6.8mm |
| Fixing Hole Centres | Box Fixing = 60.3mm |
| Minimum Wall Box Depth | 35mm |
| Wattage | |
| Switched Poles | Double |
| Current Rating | 13 Amp |
| Voltage | 220/250V AC |
| Max load | 13 Amp |
| Contact Gap Minimum | 3mm |
| Terminal Capacity 1 | 4 x 2.5mm ² |
| Terminal Capacity 2 | 3 x 4mm ² |
| Terminal Capacity 3 | 2 x 6mm ² Multi-Strand |
| Terminal Capacity 4 | 1 x 10mm ² |
| Terminal Capacity 5 | |
| Earth Terminal Capacity 1 | 4 x 2.5mm ² |
| Earth Terminal Capacity 2 | 3 x 4mm ² |
| Earth Terminal Capacity 3 | 2 x 6mm ² Multi-Strand |
| Earth Terminal Capacity 4 | 1 x 1mm ² |
| Earth Terminal Capacity 5 | |
| Product Class 1 | Must be earthed |
| Ambient Operating Temperature | -5° to +40° C |
| Recommended Location | Indoor use only |
| Standard/Approval | BS 1363 |

Additional Features:

Inline terminals.
Screw caps supplied to conceal the fixing screws.
DP switching - neutral makes first, breaks last.

| | | |
|--|--|---|
| All products listed conform to current British or European standards and the product information is correct at the time of going to press. | All accessories are manufactured under an accredited BS EN ISO 9001 : 2008 Quality Management System. | It is the policy of the company to continually improve products as part of our development programme. Therefore, we reserve the right to alter designs and dimensions without prior notice. |
| Illustrations and diagrams are reproduced within the limitations of reproductions and printing processes are not binding. | Due to manufacturing processes we cannot guarantee an exact colour match and shadings of certain finishes. | Correct as at May 2015 E&OE |

R Hamilton & Co Ltd • Quarry Industrial Estate • Mere • Wiltshire • BA12 6LA • UK
T: +44 (0)1747 860088 • F: +44 (0)1747 861032 • E: info@hamilton-litestat.com
www.hamilton-litestat.com

Directors: R Hamilton • I Hamilton • RL Haines • CP Savory • J Berry • AMH Hamilton (Secretary)
Registered Office: 78 Tenter Road • Moulton Park • Northampton • NN3 6AX
Registered in London No. 941624 • VAT Registration No. 222 6607 84

