
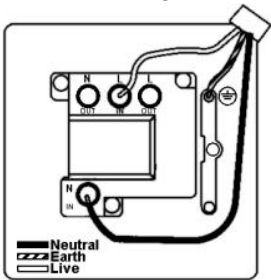


**Item Image**



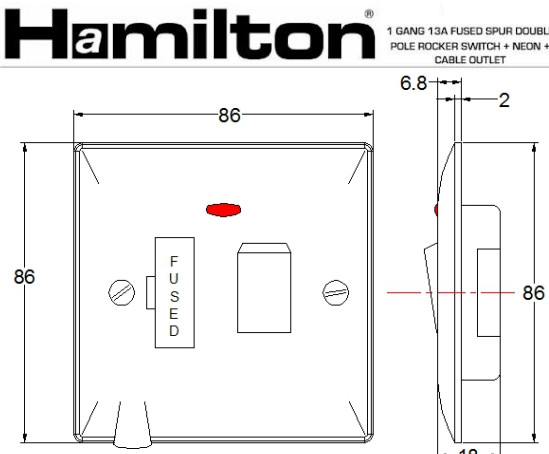

---

**Wiring**




---

**Dimensions**



**Hamilton®** 1 GANG 13A FUSED SPUR DOUBLE POLE ROCKER SWITCH + NEON + CABLE OUTLET

## VWP SPNC W

Vogue White 1 gang 13A Fused Spur Double Pole and Neon and Cable Outlet. Standard Insert will be White with a White surround. A tough scratch resistant thermoset plastic finish with inherent antimicrobial properties.

Primary Range	Vogue White
Insert Type	Switched Fused Connection Units
Plate Finish	Vogue White moulded high grade thermoset plastic
Frame Finish	
Switch Colour	Vogue White
Body & Switch Trim	Vogue White
Height	Single = 86mm
Width	Single = 86mm
Depth	Single = 6.8mm
Fixing Hole Centres	Box Fixing = 60.3mm
Minimum Wall Box Depth	35mm
Wattage	
Switched Poles	Double
Current Rating	13 Amp
Voltage	220/250V AC
Max load	13 Amp
Contact Gap Minimum	3mm
Terminal Capacity 1	3 x 2.5mm <sup>2</sup>
Terminal Capacity 2	2 x 4mm <sup>2</sup> Multi-Strand
Terminal Capacity 3	1 x 6mm <sup>2</sup>
Terminal Capacity 4	
Terminal Capacity 5	
Earth Terminal Capacity 1	6 x 1mm <sup>2</sup>
Earth Terminal Capacity 2	5 x 1.5mm <sup>2</sup>
Earth Terminal Capacity 3	3 x 2.5mm <sup>2</sup>
Earth Terminal Capacity 4	2 x 4mm <sup>2</sup> Multi-Strand
Earth Terminal Capacity 5	1 x 6mm <sup>2</sup>
Product Class 1	Must be earthed
Ambient Operating Temperature	-5° to +40° C
Recommended Location	Indoor use only
Cable outlet (min)	0.75mm <sup>2</sup>
Cable outlet (max)	2.5mm <sup>2</sup>
Standard/Approval	BS 1363

**Additional Features:**

Inline terminals.  
Screw caps supplied to conceal the fixing screws.  
DP switching - neutral makes first, breaks last.

All products listed conform to current British or European standards and the product information is correct at the time of going to press.	All accessories are manufactured under an accredited BS EN ISO 9001 : 2008 Management Quality System.	It is the policy of the company to continually improve products as part of our development programme. Therefore, we reserve the right to alter designs and dimensions without prior notice.
Illustrations and diagrams are reproduced within the limitations of reproductions and printing processes are not binding.	Due to manufacturing processes we cannot guarantee an exact colour match and shadings of certain finishes.	Correct as at May 2015 E&OE

R Hamilton & Co Ltd • Quarry Industrial Estate • Mere • Wiltshire • BA12 6LA • UK  
T: +44 (0)1747 860088 • F: +44 (0)1747 861032 • E: info@hamilton-litestat.com  
www.hamilton-litestat.com

Directors: R Hamilton • I Hamilton • RL Haines • CP Savory • J Berry • AMH Hamilton (Secretary)  
Registered Office: 78 Tenter Road • Moulton Park • Northampton • NN3 6AX  
Registered in London No. 941624 • VAT Registration No. 222 6607 84

