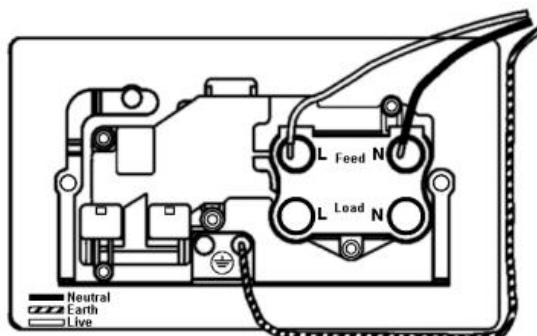


Item Image



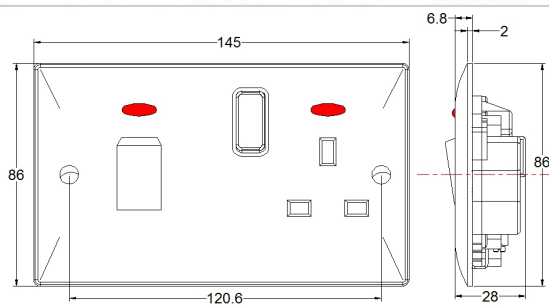
Wiring



Dimensions

Hamilton®

1 GANG 45A DOUBLE POLE RED
ROCKER SWITCH + NEON + 13A
SWITCHED SOCKET



VWP-45SS1-W

Vogue White 1 gang Double Pole 45A Red Rocker and 13A Switched Socket. Standard Insert will be Red with a White surround. A tough, scratch resistant finish with an inherent antimicrobial properties.

Primary Range	Vogue White
Insert Type	45 Amp Double Pole Rocker Switch with Neon and 13Amp Switched Power Socket
Plate Finish	Vogue White moulded high-grade thermoset plastic
Frame Finish	
Switch Colour	Red
Body & Switch Trim	White
Height	Double = 86mm
Width	Double = 146mm
Depth	Double = 1.5mm
Fixing Hole Centres	Box Fixing = 120.6mm
Minimum Wall Box Depth	35mm
Wattage	
Switched Poles	Double
Current Rating	Switch 45 Amp Socket 13 Amp
Voltage	220/250V AC
Max load	Switch 45 Amp Socket 13 Amp
Contact Gap Minimum	3mm
Terminal Capacity 1	3 x 6mm ²
Terminal Capacity 2	2 x 10mm ²
Terminal Capacity 3	1 x 16mm ²
Terminal Capacity 4	
Terminal Capacity 5	
Earth Terminal Capacity 1	3 x 6mm ²
Earth Terminal Capacity 2	2 x 1mm ²
Earth Terminal Capacity 3	1 x 16mm ²
Earth Terminal Capacity 4	
Earth Terminal Capacity 5	
Product Class 1	Must be earthed
Ambient Operating Temperature	-5° to +40° C
Recommended Location	Indoor use only
Standard/Approval	BS 4177

Additional Features:

Inline terminals.
Screw caps supplied to conceal the fixing screws.
DP switching - neutral makes first, breaks last.

All products listed conform to current British or European standards and the product information is correct at the time of going to press.

All accessories are manufactured under an accredited BS EN ISO 9001 : 2008 Quality Management System.

It is the policy of the company to continually improve products as part of our development programme. Therefore, we reserve the right to alter designs and dimensions without prior notice.

Illustrations and diagrams are reproduced within the limitations of reproductions and printing processes are not binding.

Due to manufacturing processes we cannot guarantee an exact colour match and shadings of certain finishes.

Correct as at May 2015
E&OE

R Hamilton & Co Ltd • Quarry Industrial Estate • Mere • Wiltshire • BA12 6LA • UK
T: +44 (0)1747 860088 • F: +44 (0)1747 861032 • E: info@hamilton-litestat.com
www.hamilton-litestat.com

Directors: R Hamilton • I Hamilton • RL Haines • CP Savory • J Berry • AMH Hamilton (Secretary)
Registered Office: 78 Tenter Road • Moulton Park • Northampton • NN3 6AX
Registered in London No. 941624 • VAT Registration No. 222 6607 84

