

Item Image



Supplied with Key to operate switch.

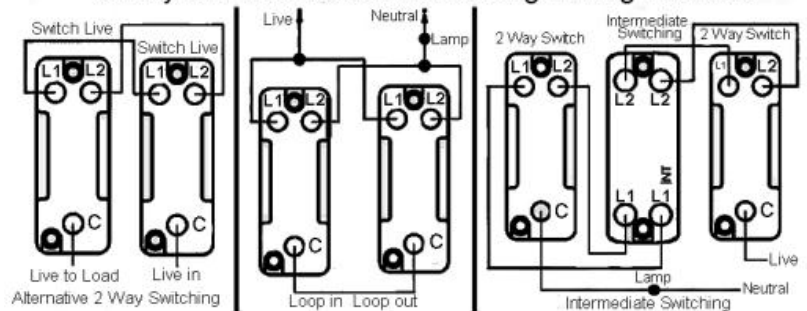


## VW-GIK21W

Vogue White Clip in Modular Single Pole 20AX Key Switch. Standard Insert will be Vogue White & includes Key. Compatible with Vogue White Front Plates & Grids only.

Primary Range	Vogue White
Insert Type	Single Pole Key Switches
Plate Finish	
Frame Finish	
Switch Colour	Vogue White
Body & Switch Trim	Vogue White
Height	
Width	
Depth	
Fixing Hole Centres	
Minimum Wall Box Depth	35mm
Wattage	
Switched Poles	Single
Current Rating	20AX
Voltage	220/250V AC
Max load	20 Amp inductive
Contact Gap Minimum	3mm
Terminal Capacity 1	5 x 1mm <sup>2</sup>
Terminal Capacity 2	4 x 1.5mm <sup>2</sup>
Terminal Capacity 3	2 x 2.5mm <sup>2</sup>
Terminal Capacity 4	2 x 4mm <sup>2</sup> Multi-Strand
Terminal Capacity 5	1 x 6mm <sup>2</sup>
Earth Terminal Capacity 1	6 x 1mm <sup>2</sup>
Earth Terminal Capacity 2	5 x 1.5mm <sup>2</sup>
Earth Terminal Capacity 3	3 x 2.5mm <sup>2</sup>
Earth Terminal Capacity 4	2 x 4mm <sup>2</sup> Multi-Strand
Earth Terminal Capacity 5	1 x 6mm <sup>2</sup>
Product Class 1	Face plate must be earthed
Ambient Operating Temperature	-5° to +40° C
Recommended Location	Indoor use only
Standard/Approval	BS EN 60669-1

### 2 Way and Intermediate Switching Wiring Methods



All products listed conform to current British or European standards and the product information is correct at the time of going to press.	All accessories are manufactured under an accredited BS EN ISO 9001 : 2008 Quality Management System.	It is the policy of the company to continually improve products as part of our development programme. Therefore, we reserve the right to alter designs and dimensions without prior notice.
Illustrations and diagrams are reproduced within the limitations of reproductions and printing processes are not binding.	Due to manufacturing processes we cannot guarantee an exact colour match and shadings of certain finishes.	Correct as at May 2015 E&OE

R Hamilton & Co Ltd • Quarry Industrial Estate • Mere • Wiltshire • BA12 6LA • UK  
 T: +44 (0)1747 860088 • F: +44 (0)1747 861032 • E: info@hamilton-litestat.com  
 www.hamilton-litestat.com

Directors: R Hamilton • I Hamilton • RL Haines • CP Savory • J Berry • AMH Hamilton (Secretary)  
 Registered Office: 78 Tenter Road • Moulton Park • Northampton • NN3 6AX  
 Registered in London No. 941624 • VAT Registration No. 222 6607 84

