

MDR – 2CHRR

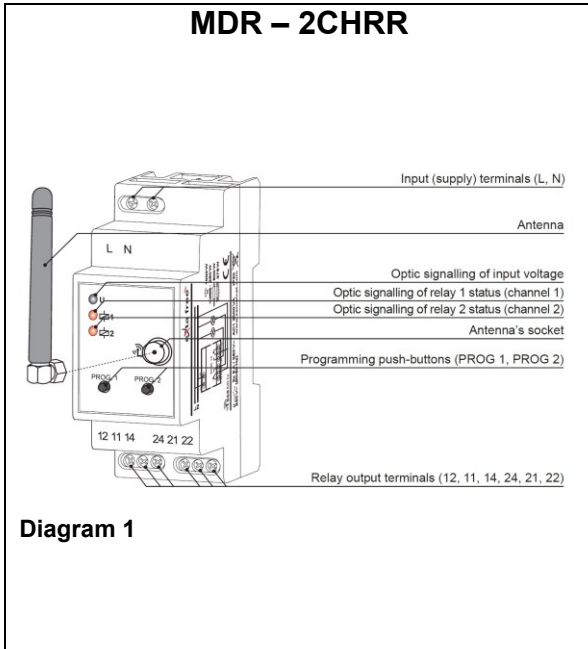


Diagram 1

Features:

- Compatible with Mercury Air wireless accessories.
- 2-channel radio receiver mounted on a TH-35 rail in a distribution board.
- Five operation modes: switching on / switching off / mono stable / bi-stable (2 state) / time.
- Two output relay NO/NC 8 Amps (changeover contacts)
- Wide range of operation (up to 250 m).
- Power supply and relay operations are optically signalled.
- This product can be used to control your existing wiring system and can be integrated with Hamilton's Mercury Lighting System.

Please dispose of electronic equipment responsibly.



MDR – 2CHRR 2 Channel Radio Modular Receiver

2 channel radio modular receiver MDR-2CHRR can be mounted in distribution boards on the TH-35 rail and can recognise radio control functions using any Mercury Air system transmitters. A variety of devices can be connected to the relay output (e.g. wired devices of Mercury Air home automation, relay-contactor systems and others).

Primary Range	Mercury Air
Input Supply Terminals	L, N
Input Rated Voltage	230V AC
Input Voltage Tolerance	-15 to +10%
Nominal Frequency	50 / 60 Hz
Nominal Power Consumption	0.55W
Optical Signalling Of Power Consumption	LED green diode
Number Of Operational Modes	5
Number Of Channels	2
Transmission	Radio 868.32MHz
Transmission Way	Unidirectional
Coding	Addressing transmission
Maximum Number Of Remote Controls	32
Range	Up to 250m in the open area
Time Adjust	1 second to 18 hours (Every second)
Optical Signalling Of Relay Status	2X LED red diode
Relay Output Clamps	12, 11, 14, 24, 21, 22
Relay Contact Parameters	2NO/NC 8A / 250V ~ AC1 2000VA
Ambient Temperature Range	-10 to +55 C
Section Of Connecting Cables	Up to 2.5mm ²
Operating Position	Free
Casing Mounting:	TH-35 Rail (according to EN60715)
Casing Protection Degree:	IP20 (EN 60529)
Protection Level	II
Overvoltage Category	II
Pollution Degree	2
Surge Voltage	1kV (EN 61000 – 4 – 5)
Dimensions	35 X 90 X 66mm
Weight	157g
Product Class II	Does not require earth
Ambient Operating Temperature	-10°C to +55°C
Recommended Location	Indoor use only
Standard/Approval	EN 60669, EN 606950, EN 610000